

SDP-Eco 1630III R



SDP-Eco 1630III R

Mitsubishi's Silver Digiplate SDP-Eco 1630III R is a completely automated, digital platesetting system for all applications from black-and-white up to 4-colour printing.

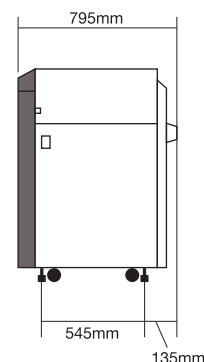
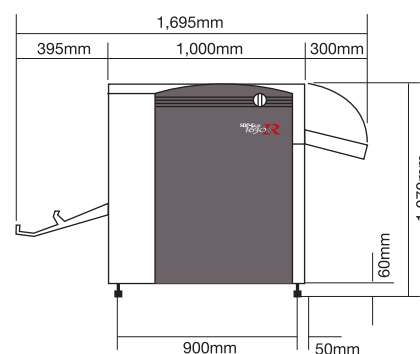
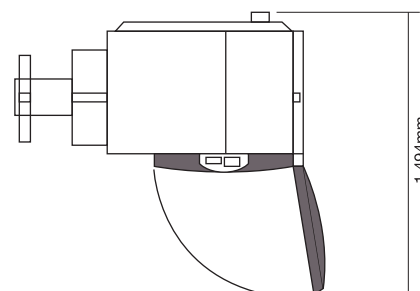


Features of the Silver Digiplate Platesetter : SDP-Eco 1630III R

- For high-quality 4-color printing
- Easy operation and low maintenance
- Environmentally-friendly integrated processor
- Extremely high recording speed
- Optional integrated punching system for increased productivity

Technical Specifications

Output Media	Polyester: SDP-FR 100 (0.12 mm), SDP-FRS 175 (0.20 mm) Paper: SDP-RR 175 (0.20 mm)		
Plate Size	Width	229, 254, 279, 305, 310, 324, 335, 340, 370, 400, 404, 414 (mm)	
	Length	220 - 580 mm	
Maximum Recording Width	404 mm		
Resolution	1,200, 1,500, 1,800, 2,400 (dpi)		
Recording Speed	81 plates/h at 1,200 dpi 69 plates/h at 1,500 dpi 53 plates/h at 1,800 dpi 29 plates/h at 2,400 dpi		
Recording	Capstan		
Light source	Red Laser Diode (635 nm)		
Integrated Processor	Coating Type Development - "Eco" Processor		
Chemicals	SDP -EACII (Activator)		
	SDP -ESTII (Stabilizer)		
Tank Capacity	Main Tank	Replenishing Bottle	
	Activator	0.55 litres	2 l
	Stabilizer	0.60 litres	2 l
	Wash-off Water	0.26 litres	1 l
Dimensions (W x D x H)	1,000 x 795 x 1,070 mm		
Weight	207 kg	185 kg	
Power Requirements	50/60 Hz, 200 -240 V, 1.2 kW	50/60Hz, 100-120V, 1.2 kW	
Environment	23 ± 5°C, 50 - 70% RH		
Options	Integrated Converting Punching Unit / Bell or DS System		



Specifications are subject to change and modification without notice.
Trademarks and registered trademarks used in this brochure are property of their respective owners.

Mitsubishi Imaging (MPM), Inc.
555 Theodore Fremd Avenue, Rye, N.Y. 10580, USA
Tel. +1-914-925-3200, Fax +1-914-921-2495
www.mitsubishiimaging.com

Mitsubishi Paper GmbH
Am Albertussee 1, D-40549 Düsseldorf, Germany
Tel. +49-211-53596-206, Fax +49-211-53596-222
www.mitsubishi-paper.com

MITSUBISHI PAPER MILLS LIMITED

Head Office

Ryogoku City Core, 2-10-14 Ryogoku, Sumida-ku, Tokyo 130-0026, Japan • Tel. +81-3-5600-1475, Fax. +81-3-5600-1413 • <http://www.mpm.co.jp>